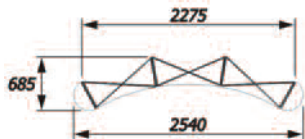


Graphic Panel Sizes

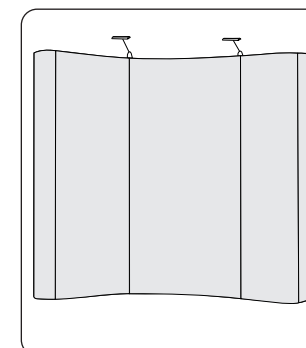
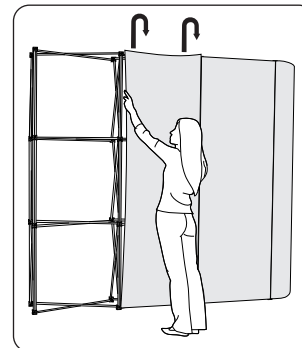
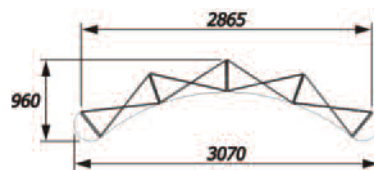
Front Curved	D-End Panels
2225 (h) x 673 (w)	2225 (h) x 673 (w)

All sizes are in millimetres(mm) and are approx

3x3 Curved Footprint



3x4 Curved Footprint



Disassembly Instructions

