

Assembly

SPECIFICATIONS

GRAPHIC PANEL SIZE

Single = 650-800mm x 1200-2000mm

Double = 650-800mm x 1200-2000mm

GRAPHIC EYELETS

Eyelet position

25mm in from each corner

minimum eyelet size

Minimum internal diameter = 10mm

SYSTEM SIZE

assembled size

650-800mm(w) x 400(d) x 1350-2150(h)

mm

BOXED SIZE & WEIGHT

1170mm(L) x 410mm(W) x 215mm(D)

6.6kg

MOULDED BASE CAPACITY

18 Litres

COMPONENT LIST

Base

Bottom hanger (x2)

Top hanger

Telescopic pole

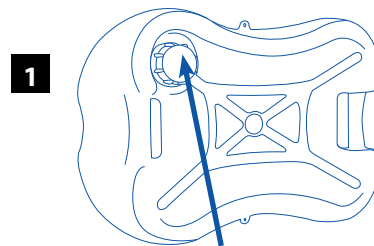
OPTIONAL EXTRAS

Arctic carry bag set

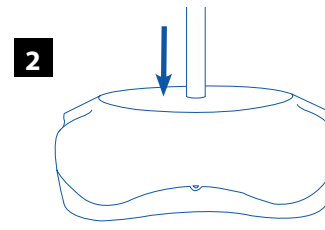
Arctic water filled weighted base ring

- capacity of 10litres(10kg)

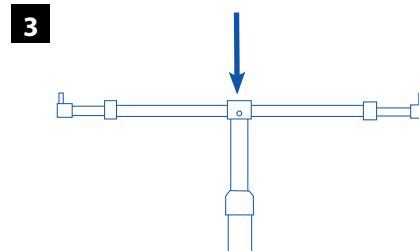
ARCTIC BANNER STAND ASSEMBLY INSTRUCTIONS



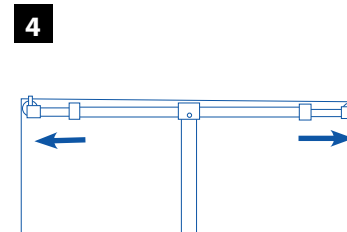
Open the cap on the bottom of the base and fill with water or sand.



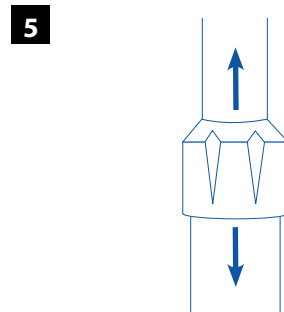
Insert telescopic pole into base.



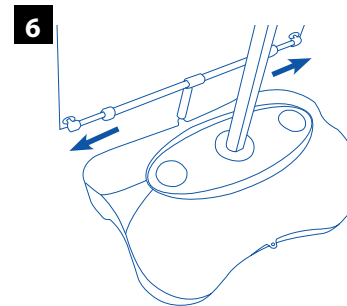
Slot adjustable top hanger into the top of telescopic pole and attach graphic.



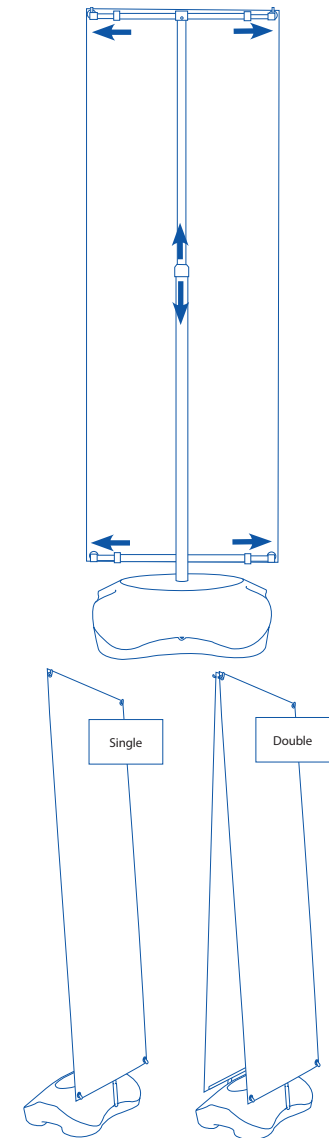
Adjust the top hanger to add tension to graphic.



Adjust the telescopic pole so the bottom of the graphic is level with the top of the base.



Attach graphic to the bottom hanger and adjust to add tension.



Moulded base can be filled with either water or sand for extra stability. If the base is filled with water, ensure that precautions are taken to stop the water freezing as this may cause damage to the base.