

- 1 Setup All Files in CMYK
- 2 Create artwork at 25% of actual size
- 3 Create a single page document in a high resolution PDF without compression
- 4 All layered files should be flattened and fonts converted to "outlines"
- 5 All scans and bitmap images should be converted to CMYK and placed in the 25% document at 100% at 300dpi. Lower resolution images may result in pixilation on the print.
- 6 Setup all files with a 5mm bleed on all edges.

Files can be supplied on the following media:

CD, DVD, e-mail, FTP transfer or USB drives

If uploading files to our FTP server, please call **0845 2300 780** for details. Alternatively we can download from your FTP site.

Proofs and Colour matching:

We will attempt to match any colour proofs supplied, however the four colour process can only reproduce a certain range of colours, e.g. it cannot reproduce all Pantone colours. If colour matching is critical, please provide an accurate printout or pantone colour reference.

Please post all colour proofs or artwork to:

Display Wizard Ltd
Units 15 & 16 Creamery Industrial Estate,
Kenlis Road,
Barnacre,
Garstang,
Lancashire,
PR3 1GD

Please email artwork to:

artwork@displaywizard.co.uk

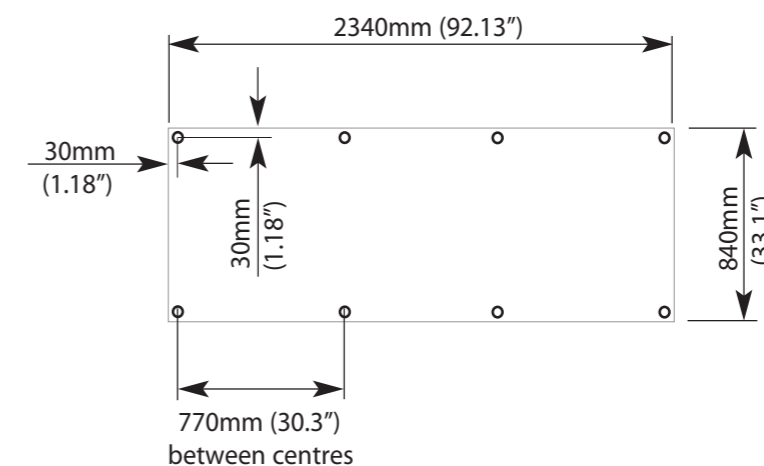
Monsoon 2500mm(w)

Visible Graphic Size - 840mm(h) x 2340mm(w)

Artwork Size at 25% of the actual banner size - 210mm(h) x 585 mm(w)

Eyelet positioning:

Centre of the eyelets 30mm from the top and bottom of the banner and distance between eyelet centres 770mm (please see diagram below for more detail)



Monsoon 3000mm(w)

Visible Graphic Size - 1090mm(h) x 2840mm(w)

Artwork Size at 25% of the actual banner size - 272.5mm (h) x 710 mm (w)

Eyelet positioning:

Centre of the eyelets 30mm from the top and bottom of the banner and distance between eyelet centres 925mm (please see diagram below for more detail)

